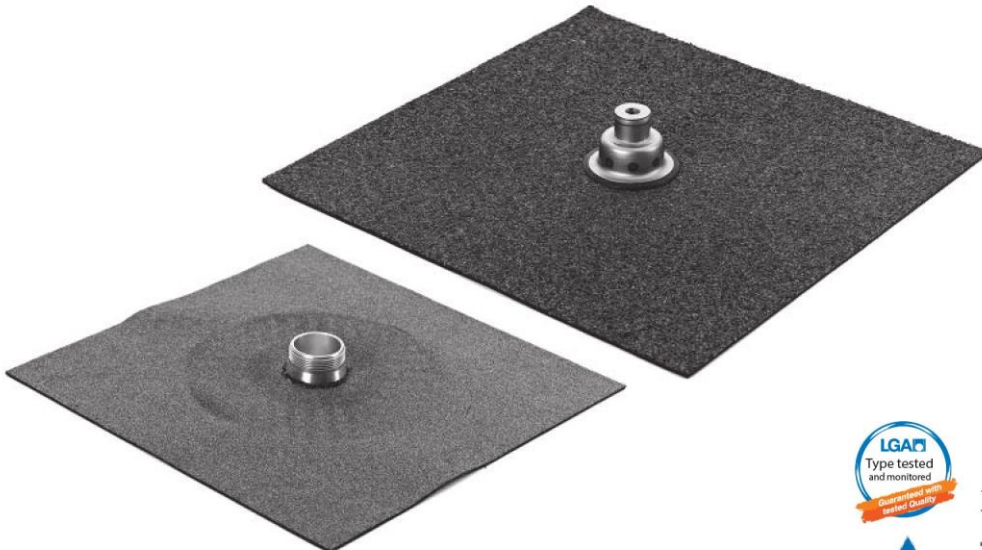




JUAL  
SOLAR

## JUAL SOLAR // CONSOLE SYSTEM // DATASHEET

### ROOF CONSOLE 2-LAYER FROM JUAL SOLAR



EN1253



TÜVRheinland®

LGAI

Produkttest og certificering er udført med basis i EN1253

#### PRODUCTDESCRIPTION:

##### JUAL SOLAR ROOF CONSOLE WITH UNDER LAY AND TOP LAYER

For effective and safe fixation of constructional elements or other types of installations for 2 layer roofing systems on warm or cold flat roof constructions such as solar cells, antennas or others. The Roof Console can be applied on buildings with either inclined or flat roofs as long as the specific type of roof construction is regarded.

##### APPLICATION AND LOAD CAPACITY:

The precondition for a correct application of the Roof Console is that a qualified analysis is conducted of the various loads (wind, snow, cold and heat) which will impact each console through out the expected lifetime of the installation. It's crucial that the analysis focuses on the complete system and hereby including elements such as: The roof deck, the VCL, insulation thickness, etc. JUAL SOLAR recommends that the load design is performed either by, the system-suppliers, mounting system suppliers, solar contractors or consultancy engineers or architects and points out that JUAL SOLAR is available to assist in this process.

If Roof Consoles are used as a part of a complete solar installation where JUAL SOLAR has made the load design of the mounting system including fixation, the specific console configuration with corresponding load calculations will be a part of the standard project documentation.



JUAL  
SOLAR

## JUAL SOLAR // CONSOLE SYSTEM // DATASHEET

### ROOF CONSOLE 2-LAYER FROM JUAL SOLAR

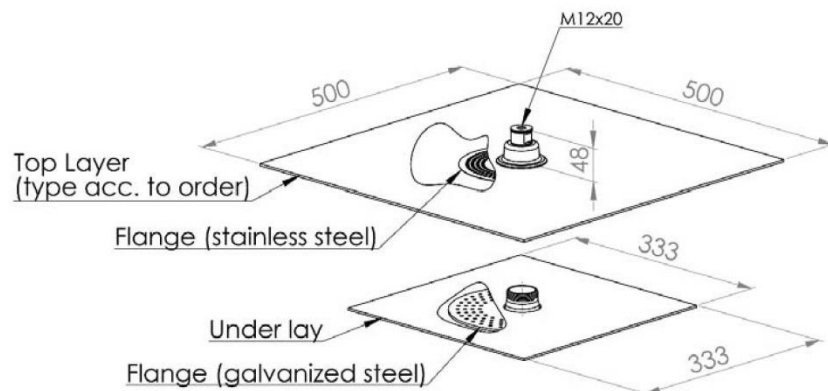
#### ORDERING:

TYPE	ITEM
ROOF CONSOLE 2-LAYER	230060-1XX Art. No.- Membrane No
Find the Membrane overview under "Downloads" on <a href="http://jualsolar.dk">jualsolar.dk</a>	

#### MATERIAL:

Flange:	Stainless steel
Console Top:	Stainless steel
Top Layer:	The type of the integrated top Layer can be specified for each individual project.
Under Layer:	SBS Bridge-Deck Membrane

#### TEKNICAL DATA:



#### INSTALLATION:

##### GENERAL INSTALLATION GUIDELINES

The Roof Console is always combined with a Console Anchor which is chosen on behalf of the specific roof construction for each project. When a new project is planned it is therefore necessary to make a choice of Console Anchor and to choose the right membrane type both in terms of color and

## ROOF CONSOLE 2-LAYER FROM JUAL SOLAR

material in order to ensure compliance to the roof covering as well as to possible roofer or building contractor requirements.

As a general recommendation JUAL SOLAR recommends that Roof Consoles are applied by roofers who have been specifically trained for appliance of roof consoles.

For further information concerning anchor types for the Roof Console please refer to the Application matrix under "Downloads" on [jualsolar.dk](http://jualsolar.dk) or contact JUAL SOLAR.

### APPLICATION

The 2-layer Console has been made with the purpose of achieving an effective, safe and simple systematic solution for the fixation of fully covering solar installations on flat roofs where technical requirements have been set with the target of utilizing materials and resources in the most efficient way for this type of installations. The product has, as the present range of console products, also been developed in a close cooperation with the roofing industry under consideration to the present industry guidelines and intensions.

### INSTALLATION

The Installation procedure is firstly to attach the bottom part with the under layer and secondly to attach the top part. For installations, typical larger plants, it can however prove reasonable to complete the installation of the bottom parts for the whole installation as the first step. For these cases it's necessary to seal the bottom part before the final step of installation is completed. For this purpose an accessory product (Rubber seal for Console Adapter, Art no. 221500) can be purchased.

For further information about installation please refer to the specific installation guide or videos for the current roof deck type.

