



**JUAL  
SOLAR**

## JUAL SOLAR // CONSOLE SYSTEM // DATASHEET

### CABLE FLASHING FROM JUAL SOLAR



EN1253



TÜVRheinland®



Produkttest og certificering er udført med basis i EN1253

#### PRODUCTDESCRIPTION:

##### JUAL SOLAR CABLE FLASHING

For secure and watertight flashing of roof penetrations for electrical cables on flat roofs with roof membrane.

##### APPLICATION

Secure solution for bringing cables through the roofing membrane, where through cables can easily be installed without colliding with sharp edges of contours.

#### ORDERING:

TYPE	ITEM
CABLE FLASHING	<b>71075KP-P--XXX</b> Art. No.– Plastic/steel flexure – Bitumen
Find the Membrane overview under "Downloads" on <a href="http://jualsolar.dk">jualsolar.dk</a>	

#### MATERIAL:

Flange:	Stainless steel
Pipe:	Stainless steel
Elbow:	Plastic or stainless steel
Membrane:	The type of the integrated membrane can be specified for each individual project.

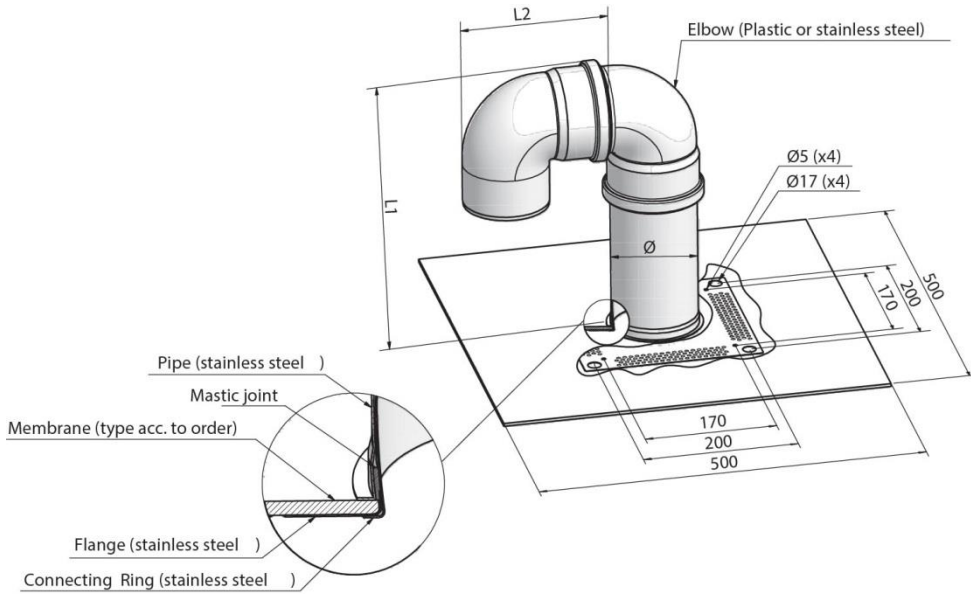


JUAL  
SOLAR

# JUAL SOLAR // CONSOLE SYSTEM // DATASHEET

## CABLE FLASHING FROM JUAL SOLAR

### TEKNICAL DATA:



Dimension	L1	L2
$\emptyset$ 75	350	150
$\emptyset$ 110	380	190

### INSTALLATION:

